



AGRI-COVER™ SWITCH CONTROL INSTRUCTIONS

Use these instructions in place of the rocker switch and solenoid sections in your electric roll tarp or ROLTEC™ Electric Hopper Conversion instructions.

NOTICE TO INSTALLER: Even if familiar with product, read instructions prior to installation as improvements may be made without notice. Always handle components with care. If you have questions or problems, have serial number ready and call customer service. When done, these instructions must be given to the consumer.

NOTICE TO CONSUMER: Before using AGRI-COVER™ Switch Control, read operating and safety sections. Save these instructions for future reference.

FOR YOUR RECORDS

DATE PURCHASED: _____

WHERE PURCHASED: _____

SERIAL NUMBER: _____

(Located on side of switch box)



Questions? 800-233-4655
agricover.com

PREPARATION

Unpack AGRI-COVER™ Switch Control components and clean mounting location.

NOTE: Hardware appearance and components may vary.

TOOLS NEEDED

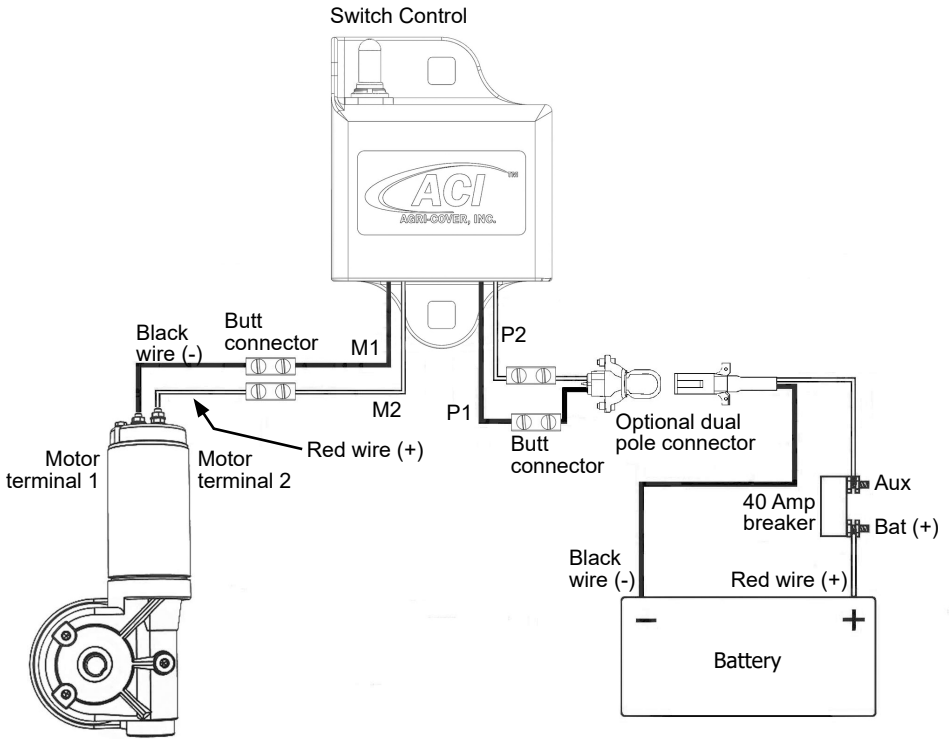
- 7/16" Wrench
- 1/4" Wrench
- Heat gun
- Marking pen
- Slotted screwdriver
- Tape measure
- Wire crimper
- Wire stripper
- Protective eyewear

SAFETY INFORMATION

Do not install or use this product without reading and understanding these instructions. Only allow people who know and understand the safety rules to use this system.

- Always use caution when operating tarp.
- Disconnect power before servicing system or electrical components.
- Ensure tarp is fully open before unloading or loading.
- Ensure people are clear of tarp system before and during operation.
- Do not operate tarp with box hoisted in elevated position.
- If tarp is covered with snow or debris, remove before operating.
- End caps must be free from commodity that may be piled on them. Commodity should not be piled higher than end caps.
- Ensure tarp system is fully open or fully closed before operating vehicle at highway speeds.
- Instruct everyone who will operate this tarp on the proper procedures.
- Do not directly spray the electric motor and electrical connections with a pressure washer.
- Never allow children to operate or play with system.
- Only operate system when tarp is completely visible.

WIRING DIAGRAM



⚠ CAUTION: Disconnect power before working with electrical system or components.

NOTE: This electric system requires a 40 Amp modified reset circuit breaker. If breaker trips and does not reset, it may have detected a continuous short and will not reset until short is repaired. Disconnect battery and repair short.

If installing this electric system on an existing unit, ensure there is a circuit breaker installed and operating properly. If breaker is missing or malfunctioning, replace it with a new 40 Amp modified reset circuit breaker.

IMPORTANT: Operating system without a circuit breaker voids warranty.

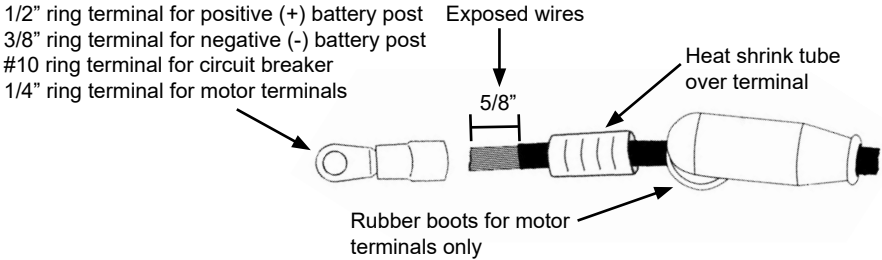
1: ROUTING HEAVY GAUGE WIRE

NOTE: There is ample heavy gauge wire supplied with each kit for standard installs. Before cutting wire, always preplan wire routing and make necessary adjustments as needed.

Tip: Use dielectric grease (packet included) at all electrical connections.

A. Route heavy gauge wires from battery to Switch Control and from Switch Control to tarp motor. Allow ample wire where cutting and mounting connections take place. See Figure 1 (box with hoist) and Figure 2 (semi-trailer box) on page 8. For terminal connections, prepare wire ends with terminals, heat shrink and rubber boots.

▲ CAUTION: Do not connect wires to battery terminals at this point.



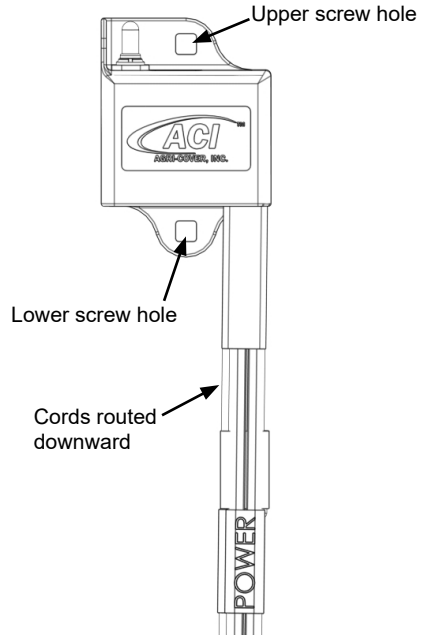
2: MOUNTING SWITCH CONTROL

A. Mount Switch Control to a rigid location away from motor and other dangerous components.

B. With cords routed downward, use box as template to mark hole locations for drilling.

C. Drill (2) 1/4" holes and insert 1/4" x 1-3/4" hex bolts. Secure with nylock hex nuts.

D. Use bolts, washers, lock washers and nuts to finish mounting.

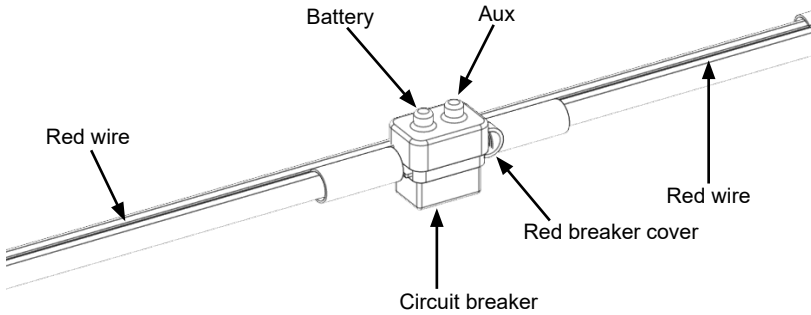


3: INSTALLING CAUTION/OPERATING DECAL

A. When installing new tarp, attach tarp's caution/operating decal to front driver side corner of truck box near Switch Control.

4: INSTALLING CIRCUIT BREAKER

A. Install circuit breaker close to battery in line with red (+) wire using #10 ring terminals and heat shrink. Cover circuit breaker with breaker cover.



5: WIRING DUAL POLE CONNECTOR (Optional)

Refer to included instructions to install Dual Pole Connector, if applicable.

6: ATTACHING BUTT CONNECTORS

The Switch Control includes four pre-installed heavy gauge wires with butt connectors. Each butt connector attaches to a specific previously prepared wire (see Step 1). When attached, each combined wire connects to a specific motor terminal or battery post.

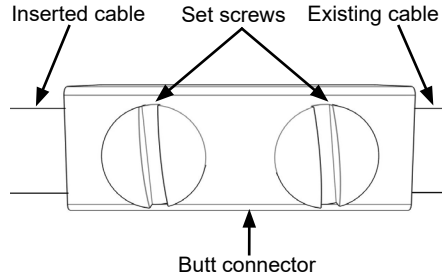
Perform the following to attach a wire to a butt connector:

A. Position heat shrink over prepared heavy gauge wires (see Step 1). Connect heavy gauge wires to butt connectors as specified below:

- Switch Control black P1 wire to black battery wire
- Switch Control red P2 wire to red battery wire
- Switch Control black M1 wire to black motor wire
- Switch Control red M2 wire to red motor wire

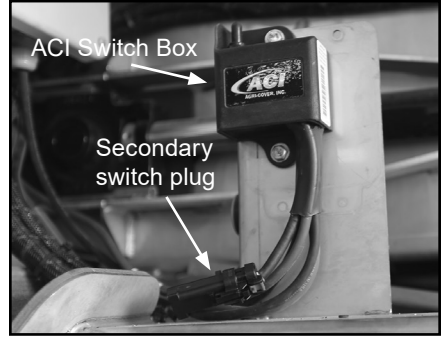
B. Verify wiring to Switch Control is as shown in Wiring Diagram on page 3.

C. Verify wires are securely connected to butt connectors. Seal heat shrink over butt connectors and wires.

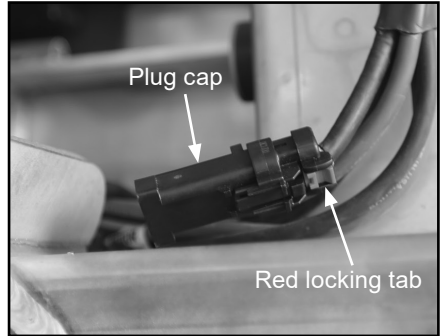


7: INSTALLING SECONDARY SWITCH (Optional)

A. Locate ACI Switch Box and secondary switch plug.

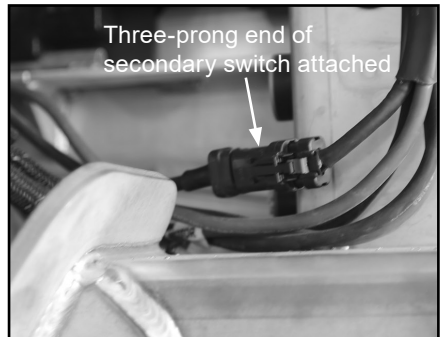
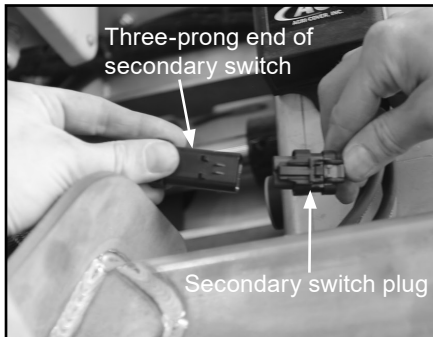


B. Push red locking tab away from secondary switch plug and pull plug cap to remove.



C. Plug three-prong end of jumper wire into accessory wire plug, then push red locking tab.

NOTE: Middle pin is power out, outside pins are switched power in.



8: CONNECTING WIRES TO MOTOR AND BATTERY

A. Double check all wire connections. Ensure all wires are connected properly (as shown in **Wiring Diagram on page 3**).

- Connect black M1 wire to motor terminal 1
- Connect red M2 wire to motor terminal 2

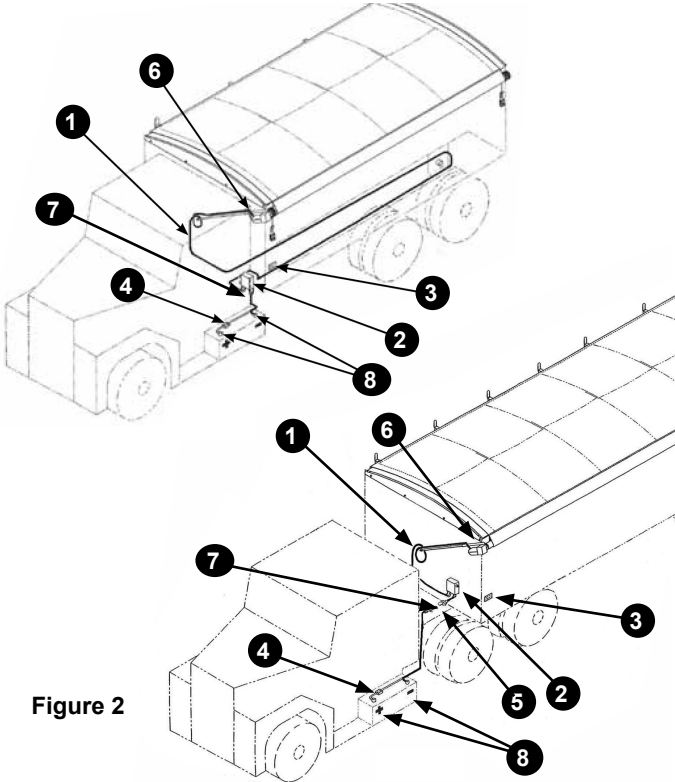
NOTE: When attaching wires to motor terminals, always hold base nut while tightening top nut and torque to 42 in-lbs.

- Connect red battery wire to positive (+) battery post
- Connect black battery wire to negative (-) battery post

B. Check system operation. If system operates in reverse, switch wires at motor and retest.

See **Wiring Diagram on page 3**.

NOTE: Numbers indicate steps where items were installed.



OPERATION

TO OPEN

A. With system on, hold switch in OPEN position, visually view tarp and release switch when roll tube touches tarp stops.

TO CLOSE

A. With system on, hold switch in CLOSED position, visually view tarp and release switch when roll tube is tight.

IMPORTANT: When tarp movement stops or if an obstruction is in path of tarp, release OPEN/CLOSE switch.

GENERAL TROUBLESHOOTING

If system has a battery cutoff switch, ensure it is turned to "ON" position.

Check all wiring components.

A. Check positive (+) and negative (-) wire connections on vehicle battery.

B. Retighten and re-crimp loose connections.

C. Replace any corroded connections.

D. Check all wire for worn or bare spots.

E. Verify 12 volts or more come into the Switch Control while system is operating.

Check power sources.

A. Check vehicle battery and charge, replace if required.

Check for physical damage to any equipment.

A. Repair or replace if required.

TROUBLESHOOTING SWITCH CONTROL

PROBLEM

SOLUTION

System will not operate with toggle switch (**cannot** hear a clicking noise from inside Switch Control).

A. If system has a battery cutoff switch, ensure it is turned to “ON” position.

B. Verify correct system wiring. See Wiring Diagram on page 3.

C. Auto circuit breaker may have tripped. Wait several minutes and try again. If it still does not work, circuit breaker may have detected a continuous short and the short must be repaired.

System will not operate with toggle switch (**can** hear a clicking noise from inside Switch Control, but nothing happens).

A. Verify the Switch Control receives a minimum of 12 volts from battery.

B. Verify at least 12 volts transmit to motor terminals. If the Switch Control receives 12 volts but does not transmit 12 volts, problems may be in Switch Control.

C. Verify the motor receives at least 12 volts (use caution around moving parts). If the motor receives 12 volts and doesn't turn, the problem may be in the motor.

D. If the Switch Control transmits 12 volts to the motor, and it does not receive 12 volts, problem may be wires connecting Switch Control to motor.

The toggle switch operates the motor, but tarp motor turns freely and tarp does not move.

A. Check pin connections in shaft between motor and roll tube. If missing, replace sheared bolt or pin with new clevis pin.

B. Check tarp system for damaged or misaligned parts and correct as needed.

C. Ensure tarp is free from obstruction.

System does not operate with toggle switch. Motor engages but stalls and system does not turn.

A. Check conditions and alignment of system. Ensure there are no broken components or obstructions. Refer to system's manual.

MANUFACTURER'S LIMITED WARRANTY

Agri-Cover, Inc. extends the following one (1) year Limited Warranty on its AGRI-COVER™ Switch Control to the original retail purchaser:

Agri-Cover, Inc. warrants AGRI-COVER™ Switch Control to be free from defects in workmanship under normal use for one (1) year from date of manufacture unless accompanied by proof of purchase. This Limited Warranty does not cover any damage due to accident, abuse, misuse, alteration, neglect, improper installation, or ordinary wear and tear.

Agri-Cover, Inc.'s sole obligation under this Limited Warranty is limited to the repair or replacement, at its option, of defective parts only. No labor or service allowance is given or implied. IN NO EVENT SHALL AGRI-COVER, INC. BE LIABLE FOR INCIDENTAL, CONSEQUENTIAL, OR SPECIAL DAMAGES. AGRI-COVER, INC. EXPRESSLY DISCLAIMS ANY AND ALL IMPLIED WARRANTIES OF MERCHANTABILITY, AND THERE ARE NO WARRANTIES WHICH EXTEND BEYOND THE LIMITED WARRANTY DESCRIPTION CONTAINED HEREIN.

For warranty, have your serial number ready and call our Customer Service Department at 800-233-4655 to determine if only a replacement part is needed or if the AGRI-COVER™ Switch Control needs to be returned for inspection and repair. Goods to be returned must have a pre-authorized RA # (Return Authorization Number) - obtained by calling the number above. Mark the number on the package and ship it freight prepaid to address below. Agri-Cover, Inc. will pay freight to return goods to sender.

This Limited Warranty gives you specific legal rights and you may have other rights, which vary, from state to state.

For replacement parts shop tarreplacementparts.com or call Customer Service at 800-233-4655.